

**Compatible with:**

Alfa Romeo 164 1989-1990 (EU)

**WARNING:**

Please hold the vehicle mount and holder over the place where the mount attaches to the dash **before** installing them to insure you like the location of the solution. Once installed and screwed together the products are **non-refundable**.

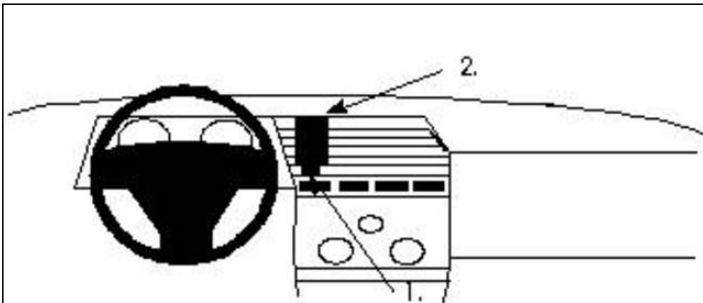
**Important:**

Self-installation instructions and advice are provided for your convenience. It is your responsibility to determine if you have the knowledge, skills, and physical ability required to properly perform an installation. ProClip USA, Inc. shall have no liability for damage or injury resulting from the installation or use of any ProClip or third party products. It is your responsibility to ensure that all products are installed in adherence with local laws and regulations and in such a manner as to allow a vehicle to be operated safely and without distraction. ProClip USA, Inc. product warranties do not cover the installation, removal or re-installation of any product.

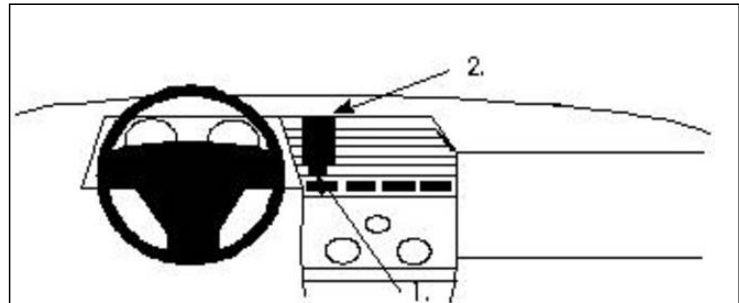
**Attention:**

Carefully read all instructions and review the images before installing this product.

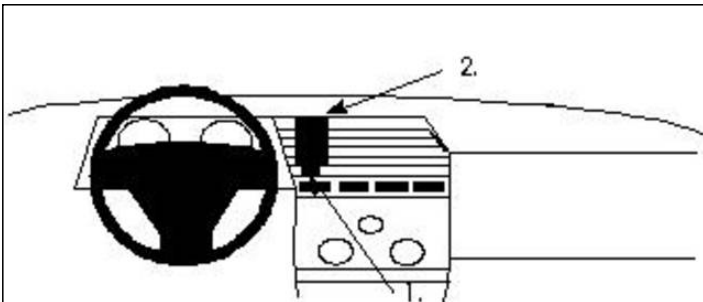
**Do not** attach anything to the mount face plate until after installing the mount to the dashboard. Doing so makes it more difficult to install the mount to the dash and non-refundable since you have screwed into it.



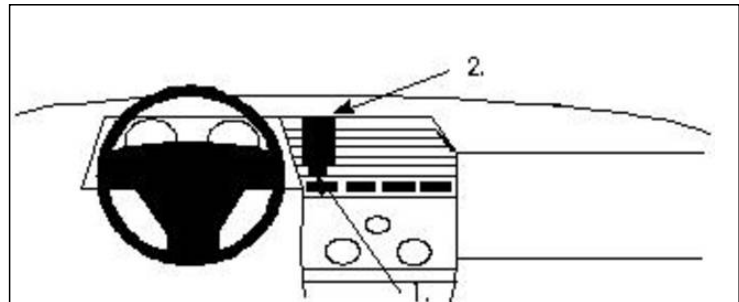
1. Peel off the adhesive tape cover on the ProClip. Press the lower part of the Proclip, with adhesive tape, into the gap below the air vent at pos. 1. Adjust the ProClip by sliding it to the left



2. Hook the upper part of the ProClip, with angel, over the edge at pos. 2.



3. The ProClip in place.



4. The ProClip Mount is in place.

# RETURNS, LIMITED WARRANTY AND LIABILITIES

## Returns

No products shipped here under may be returned without ProClip's prior approval. In order to return a product, buyer must obtain an RMA# (Return Merchandise Authorization Number). All returns must be made within thirty (30) days of the invoice date and include proof of purchase. The product must be in undamaged and unused condition, meaning: NO screw can be screwed into any product, not even into the pre-drilled holes, NO holes punched through a product, NO scratches or screw marks, and NO Velcro tape etc. We reserve the right to withhold a refund if we deem the product is damaged. A copy of your original order or invoice must accompany a return. ALL COMPONENTS PERTAINING TO THE ORIGINAL PART MUST BE RETURNED.

## Limited Warranty and Liabilities

ProClip warrants that the Products will be free of defects in materials and workmanship for a period of one (1) year from the date of purchase. If any Product should become defective within the warranty period, ProClip, at its option, will replace it, repair it or refund the purchase price. Repair or replacement parts or Products will be furnished on an exchange basis and will either be new or reconditioned. All replaced Products shall become the property of ProClip. Warranty service is available to you by delivering the Product during the warranty period to the company it was purchased from or to ProClip at 4915 Voges Rd., Madison, WI 53718 USA and providing proof of purchase, price and date. If shipped to ProClip, the buyer must first call ProClip at +1 800-296-3212 or e-mail ProClip at [returns@proclipusa.com](mailto:returns@proclipusa.com) to obtain a return approval and return number. You will bear all shipping, packaging and insurance costs and all other costs, excluding labor and parts, necessary to effectuate repair, replacement or refund under this warranty. For more information on how to obtain warranty service, write, e-mail or telephone ProClip at 4915 Voges Rd., Madison, WI 53718 USA.  
Tel: +1 800-296-3212, e-mail: [returns@proclipusa.com](mailto:returns@proclipusa.com).

THIS LIMITED WARRANTY DOES NOT EXTEND TO ANY PRODUCT WHICH HAS BEEN DAMAGED AS A RESULT OF ACCIDENT, MISUSE, ABUSE OR AS A RESULT OF UNAUTHORIZED SERVICE. THIS WARRANTY IS IN LIEU OF ALL OTHER EXPRESS WARRANTIES FOR THIS PRODUCT. IMPLIED WARRANTIES, INCLUDING THOSE OF MERCHANTABILITY, FITNESS FOR A PARTICULAR PURPOSE AND NON-INFRINGEMENT SHALL HAVE NO GREATER DURATION THAN 1 YEAR FROM THE DATE OF PURCHASE. IN THE EVENT THIS PRODUCT BECOMES DEFECTIVE DURING THE WARRANTY PERIOD, THE PURCHASER'S EXCLUSIVE REMEDY SHALL BE REPAIR, REPLACEMENT OR REFUND AS PROVIDED ABOVE.

IN NO EVENT SHALL PROCLIP BE LIABLE FOR INCIDENTAL OR CONSEQUENTIAL DAMAGES, INCLUDING WITHOUT LIMITATION LOSS OF PROPERTY, ARISING FROM BREACH OF ANY EXPRESSED OR IMPLIED WARRANTY.

PROCLIP DISCLAIMS ALL WARRANTIES, EXPRESS OR IMPLIED, OTHER THAN THOSE SET FORTH ABOVE.

IN NO EVENT WILL PROCLIP BE LIABLE TO YOU OR ANY THIRD PARTY FOR ANY INCIDENTAL OR CONSEQUENTIAL DAMAGES, INCLUDING, WITHOUT LIMITATION, INDIRECT, SPECIAL, PUNITIVE, OR EXEMPLARY DAMAGES, INCLUDING ATTORNEY FEES ARISING OUT OF THE USE OF OR THE INABILITY TO USE THE PRODUCTS, OR FOR ANY CLAIM BY ANY OTHER PARTY, EVEN IF PROCLIP HAS BEEN ADVISED OF THE POSSIBILITY OF SUCH DAMAGES.

## CONTACT INFORMATION



4915 Voges Rd.  
Madison, WI 53718  
USA  
Phone: +1 608-807-5320  
US Toll Free: 800-296-3212  
Email: [customerservice@proclipusa.com](mailto:customerservice@proclipusa.com)  
Web: [www.proclipusa.com](http://www.proclipusa.com)

### Company Info:

**ProClip USA, Inc.** provides In-Vehicle Device Mounting solutions and accessories. The ProClip products are custom fit virtually every model and handheld device available such as cell phones, smartphones, tablets, MP3 players, navigation systems, satellite radios, two-way radios and mobile computing. These innovative, convenient, secure and easy-to-install mounting solutions provide a safer and more enjoyable driving experience.

© 2017 ProClip USA, Inc. All rights reserved